

---

instruction manual

# PATIO SOFA TABLE



---

SACK it®

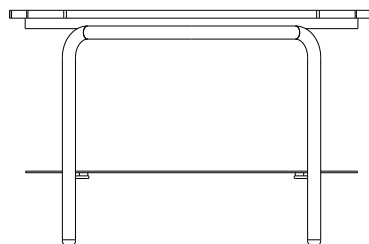
# INTRODUCTION

---

The SACKit Patio Sofa Table is an outdoor coffee table made of powder-coated aluminum with a teak tabletop. Clean lines, quality materials, and a multifunctional design elevate your outdoor space to a new level. The coffee table is built with simple shapes, featuring a frame that encloses the teak tabletop, creating a refined contrast with the powder-coated aluminum. The materials and clean lines reflect the entire SACKit outdoor collection of furniture and accessories. Like the rest of the SACKit outdoor series, the Patio coffee table is crafted from durable materials that withstand the elements. This allows it to remain outdoors year-round, sparing you the hassle of moving your outdoor furniture as the seasons change.

## **THANK YOU**

*Thank you for choosing SACKit Patio Sofa Table. We kindly ask you to read this manual thoroughly before taking the product in use. In this manual, we will guide you through the assembly of your SACKit product, as well as maintenance, so you can enjoy the product for many years to come. If you experience issues or have any questions, please don't hesitate to contact our customer service at [info@sackit.dk](mailto:info@sackit.dk). We sincerely hope that you'll enjoy your new SACKit Patio Sofa Table.*



## CARE AND MAINTENANCE

---

### GENERAL

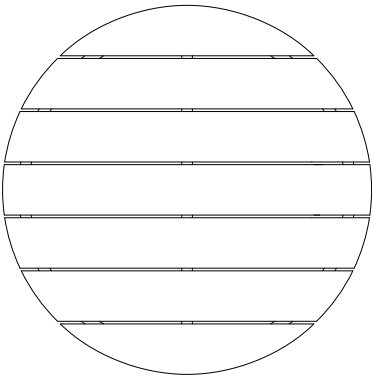
The Patio Sofa Table is made with untreated teak, showcasing the wood in its most natural form. Since the wood is untreated, the surface will develop a patina and gradually shift to a beautiful silver-gray hue over time. To maintain the wood, it's a good idea to lightly sand the tabletop once or twice a year (grain size 120-150). If you wish to preserve or enhance the original color, regularly treat the furniture with a suitable furniture oil. Whether you choose to let your teak furniture develop its natural patina or opt to oil it, teak is incredibly durable and can withstand outdoor conditions year-round.

### OIL TREATMENT

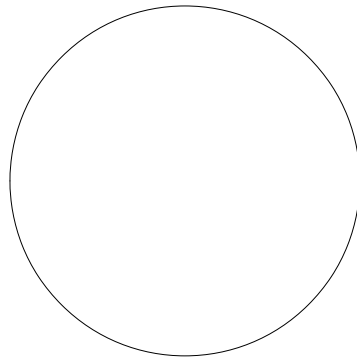
- The surface must be thoroughly cleaned and dried before applying oil. Use a soft cloth wrung out in a soapy water solution to clean the surface about 12 hours before oil treatment.
- Shake the oil well, then apply a generous amount with a clean, dry cloth in the direction of the grain.
- Allow the wood 15 to 20 minutes to absorb the oil. Remove any excess oil with a lint-free cloth and let the furniture dry overnight.
- For optimal results, repeat the treatment 2-4 times. Repeat the treatment if dry spots appear within 24 hours. Newly oiled furniture can be used with care after approximately 24 hours. The oil is fully cured after seven days.
- *Note: Cloths and sponges used to apply oil are highly flammable. Always store them away from open flames, rinse them in cold water, or place them in an airtight metal or glass container. Never pour oil directly onto the furniture, and never use steel wool.*

# PARTS

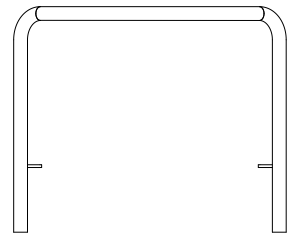
---



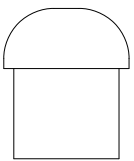
1 x TABLETOP



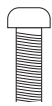
1 x SHELF



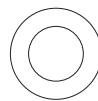
2 x LEGS



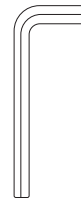
4 x FEET



10 x SCREWS



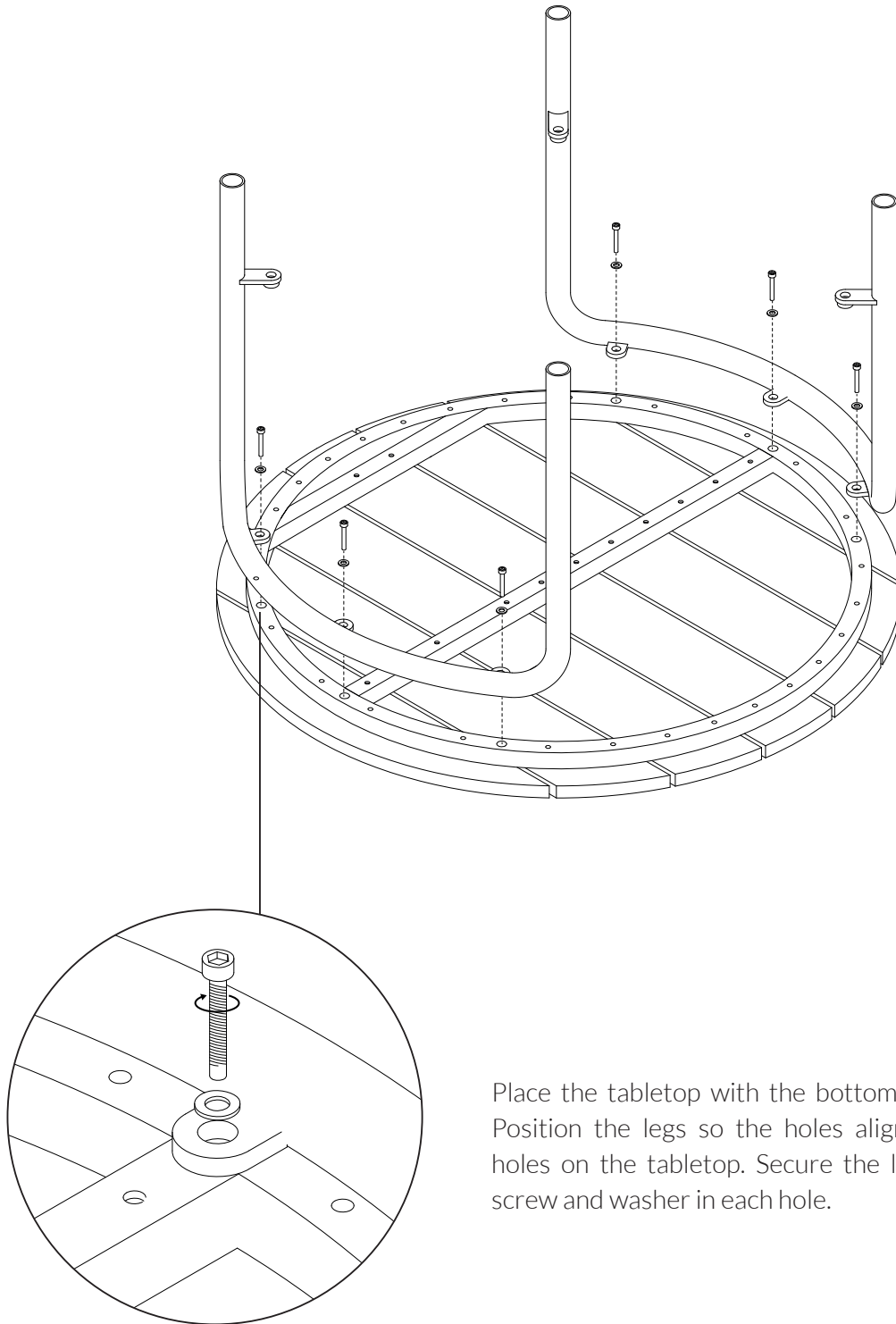
10 x WASHER



1 x ALLEN KEY

## LEGS

---

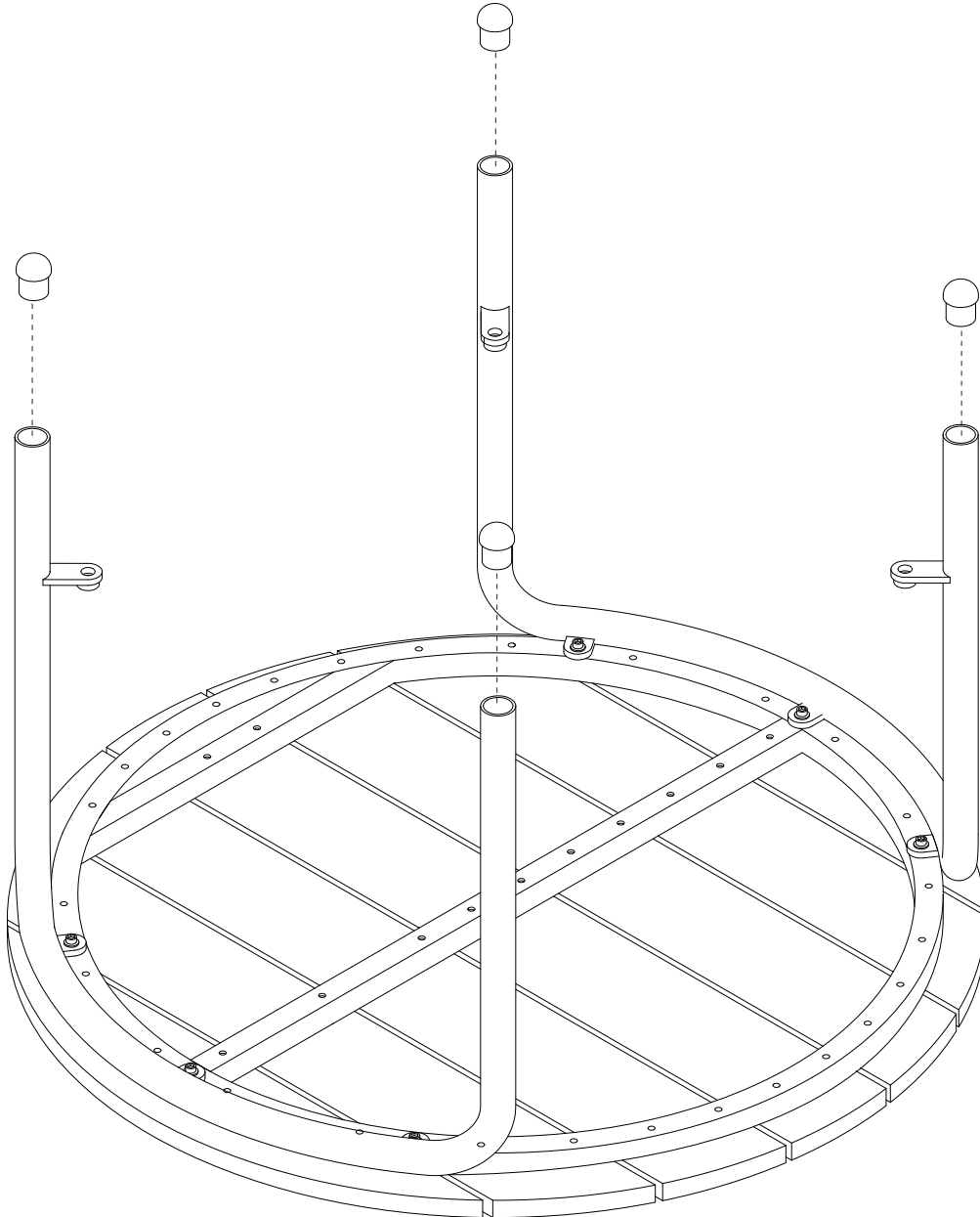


Place the tabletop with the bottom facing up. Position the legs so the holes align with the holes on the tabletop. Secure the legs with a screw and washer in each hole.

# FEET

---

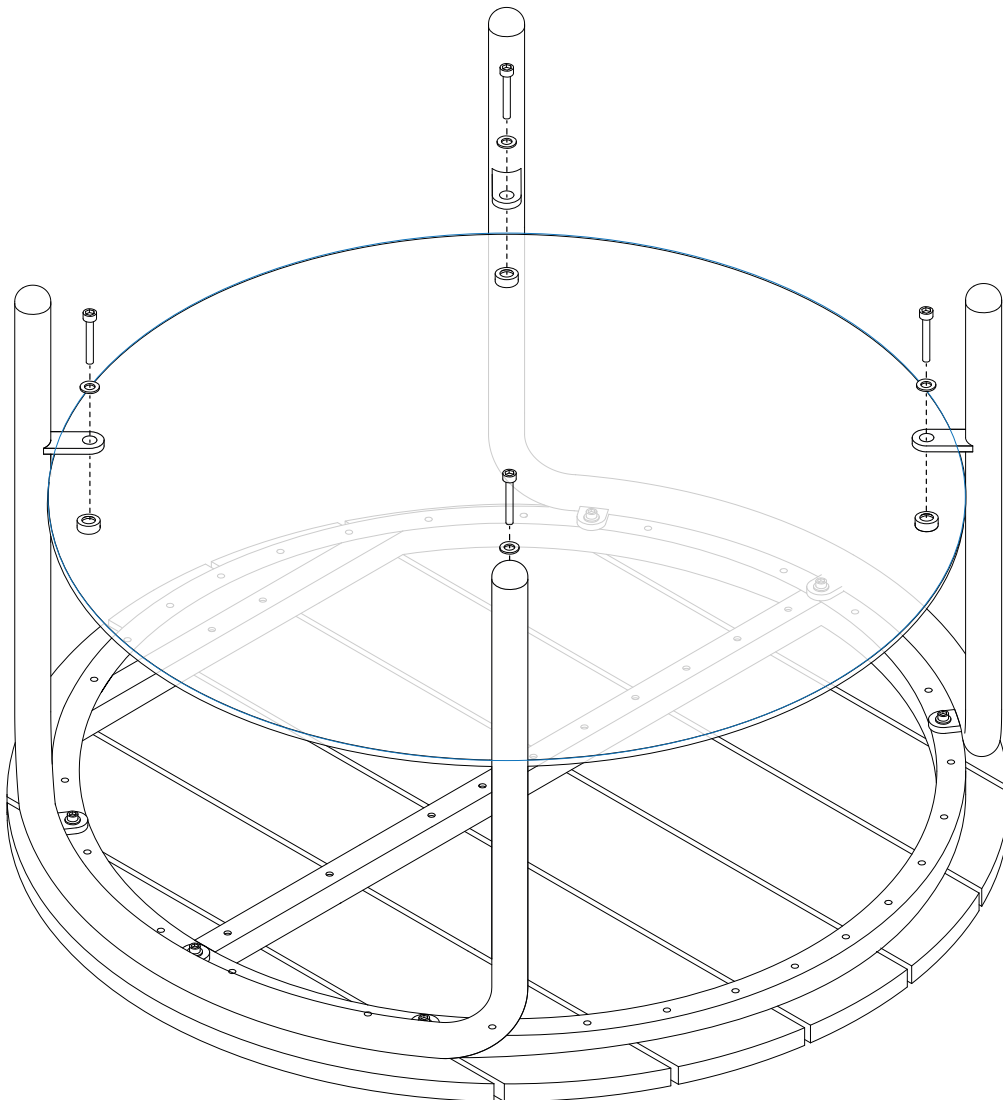
Insert the protective feet in the table legs.



## SHELF

---

Position the shelf so the screw holes align with the mounting brackets on the table legs. Secure the shelf with a screw and washer in each hole.



---

SACK<sup>it</sup><sup>®</sup>

---