

Rockit X

USER MANUAL

BRUGERMANUAL

GEBRAUCHSANLEITUNG

 UK

 DK

 DE



SACK^{it}®

CONTENT



Thank you!	3
Quick Start Guide.....	4
The Device	5
Reset ROCKit X	8
Troubleshooting	9
Cleaning of the product.....	10
Technical specifications	10
Important safety information	11
Disposal of the product	12
Complaints	12



Tak!	13
Quick Start Guide.....	14
Beskrivelse af produktet	15
Reset ROCKit X	18
Troubleshooting	19
Rengøring af Produktet	20
Tekniske specifikationer.....	20
Vigtig Sikkerhedsinformation.....	21
Bortskaffelse af produktet.....	22
Reklamationer	22



Vielen dank!	23
Kurzanleitung	24
Produktbeschreibung.....	25
Das zurücksetzen der ROCKit X..	28
Fehlersuche	29
Reinigung	30
Produktangaben	30
Wichtige sicherheitshinweise	31
Entsorgung	32
Reklamation	32



THANK YOU!

Thank you for purchasing the ROCKit X True Wireless Earbuds from SACKit. Please read the entire instruction manual before using the product and save it for future reference. We reserve the right to change or update information and to correct errors, inaccuracies, or omissions in text, images, and technical data. If you have any questions regarding technical problems please contact our customer services. We hope you will enjoy your new ROCKit X True Wireless Earbuds.

Let SACKit rock your life!

CONGRATULATIONS on your new SACKit product!

Register your new SACKit product and get cool benefits.

1. Go to <https://sackit.eu/reg>
2. Enter name, e-mail, and product*

Box contents

1. ROCKit X earbuds
2. ROCKit X wireless charging case
3. USB-C charging cable
4. Quick start guide

*When you register your product, you agree to receive email newsletters from SACKit.

QUICK START GUIDE

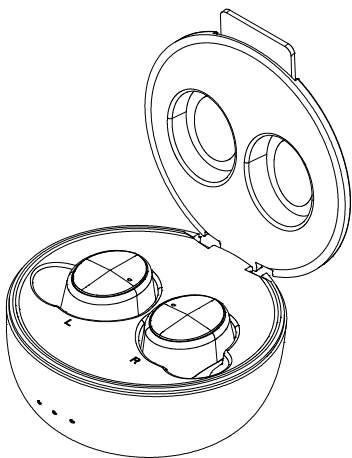
When you first get your ROCKit X earphones you need to charge them before they are ready for use.

Start by placing your ROCKit X earbuds in the charging case. This is how the earbuds charge.

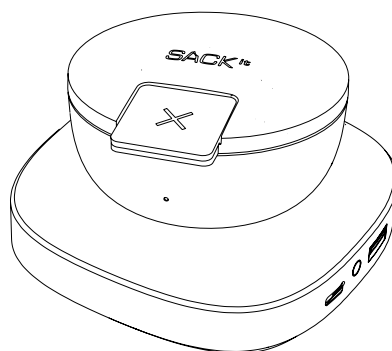
Now charge the charging case by either of 2 options.

- 1: Place the charging case on a Qi wireless charger, like SACKit's own CHARGEit.
- 2: Use the attached USB-C cable and any 5V, 1A power supply.

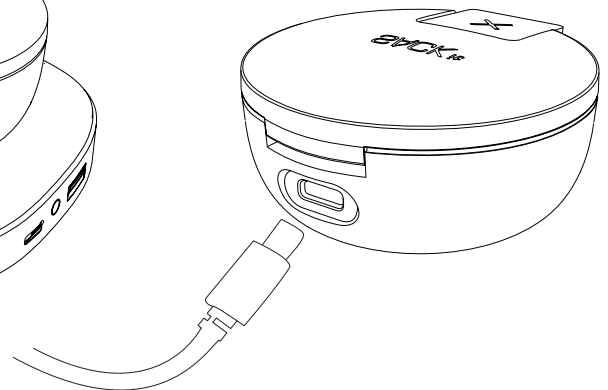
Charge for 2 hours minimum.



The earbuds charge in the charging case.



The charging case can charge on a wireless charger.



The charging case can also be charged with a USB-C cable.

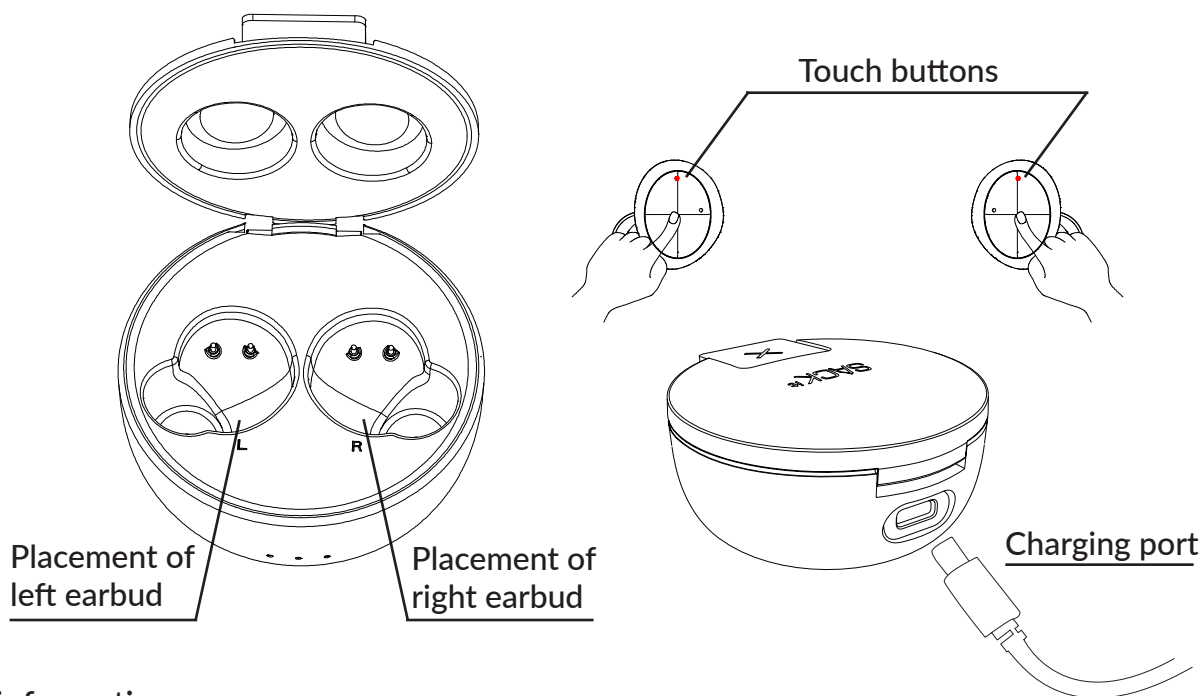
Please turn off your earbuds after use to get a longer battery life. The earbuds turn off automatically when placed in the charging case.

How to play music:

1. For first use: remove ROCKit X earbuds from the case. Both earbuds will flash white on the top edge LED
2. The left earbud will blink red/white, indicating ROCKit X is in pairing mode and the earbuds are connected via True Wireless Stereo
3. Switch on Bluetooth on your device
4. Choose "ROCKit X" under Bluetooth settings on your device. Your earbuds are now connected with your device
5. Start playing music on your device
6. ROCKit X automatically switches on/off when connected/disconnected to the charging case. Manually power on/off by holding down the earbud buttons for 10 seconds
7. ROCKit X will automatically pair with the last connected device.

To connect to a new device make sure that the previous connected device is disconnected otherwise connecting opportunity won't appear on the new device.

THE DEVICE

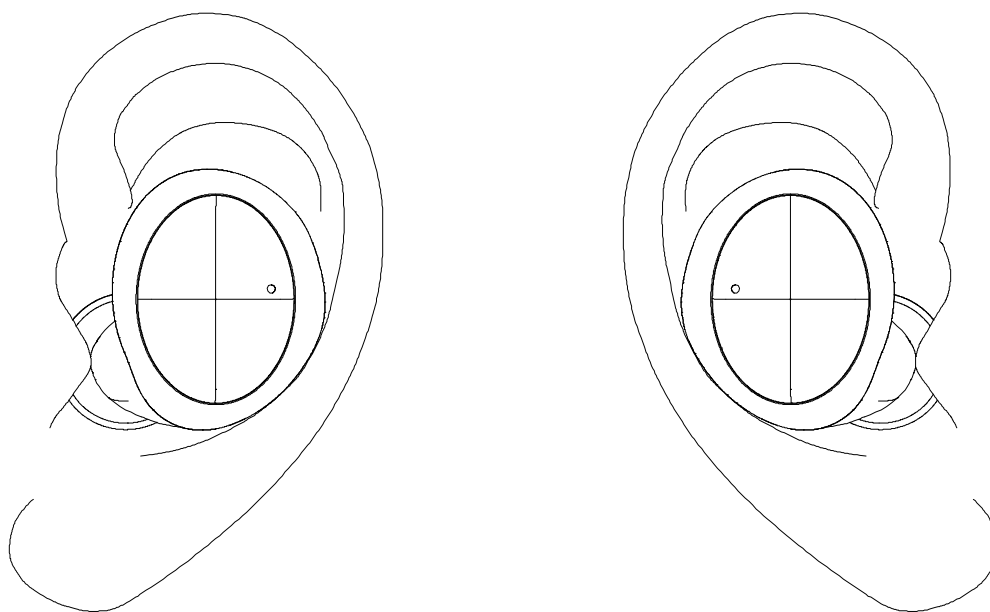


Battery information

- Battery: rechargeable Polymer Lithium-Ion Battery, DC: 3.7V/590mAh for charging case, 2 x 50mAh for earbuds
- Power: USB DC5V, Please use the USB-C cable included with ROCKit X earbuds for charging
- Charging Time: For first time use please be sure the battery has been charged fully before use. It needs more than 2 hours of charging the first time, then 2 hours for recharging

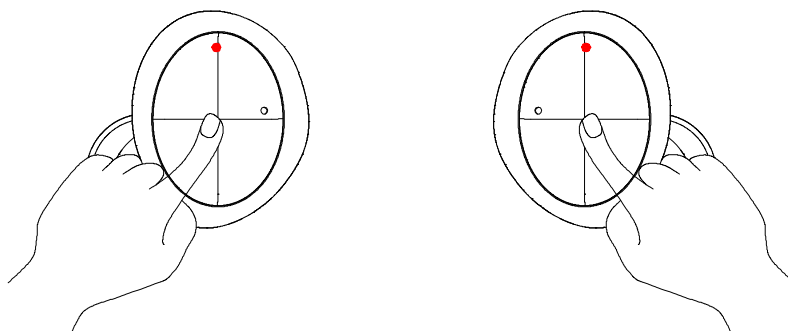
Correct placement of the ROCKit X earbuds

Place the earbuds in the ears like shown below. It is important that you place the inside ear support downwards. You can twist the earbuds until you find the right placement.



Use ROCKit X earphones

1. For first use: Remove ROCKit X earbuds from the case. Both earbuds will blink white on the top edge LED
2. The left earbud will blink red/white, indicating ROCKit X is in pairing mode and the earbuds are connected via True Wireless Stereo
3. Switch on Bluetooth on your device
4. Choose "ROCKit X" under Bluetooth settings on your device. Your earbuds are now connected with your device
5. Start playing music on your device
6. ROCKit X automatically switches on/off when connected/disconnected to the charging case. Manually power on/off by holding down the earbud buttons for 10 seconds



7. ROCKit X will automatically pair with the last connected device.
8. To connect to a new device make sure that the previous connected device is disconnected otherwise connecting opportunity won't appear on the new device.
9. ROCKit X can remember 8 devices: You can pair 8 units with your ROCKit X, at 9th unit ROCKit X will forget the first connected

Operation instructions for use after first pairing

1. After first time pairing your ROCKit X earbuds and Bluetooth device will automatically reconnect
2. Turn the earbuds on by holding down the X button until you hear the ON sound or by removing the earbuds from the case
3. Long press X button to turn off

Basic functions of ROCKit X earbuds

Left earbud - function	Left earbud - operation on earbud
Volume down - 1 tap	1 tap
Previous song	Hold for 1 seconds
Play/pause	2 taps
SIRI®/Google™	3 taps
Answer/end call	2 taps
VoiceThrough on/off	Hold in 2 sec

Right earbud - function	Right earbud - operation on earbud
Volume up	1 tap
Next song	Hold for 2 seconds
Play/pause	2 taps
SIRI®/Google™	3 taps
Answer/end call	2 taps
Active Noise Cancelation (ANC)	Hold in 2 sec

LED functions for ROCKit X earbuds

When earbuds are charging in case - LED function	Indication of LED function
Red blinks	Earbuds are charging
LED off	Earbuds are fully charged

When earbuds are in use - LED function	Indication of LED function
White blinks	Earbuds paired with a device
White/red blinks	Pairing mode
4 red blinks each minute	Earbuds needs charging

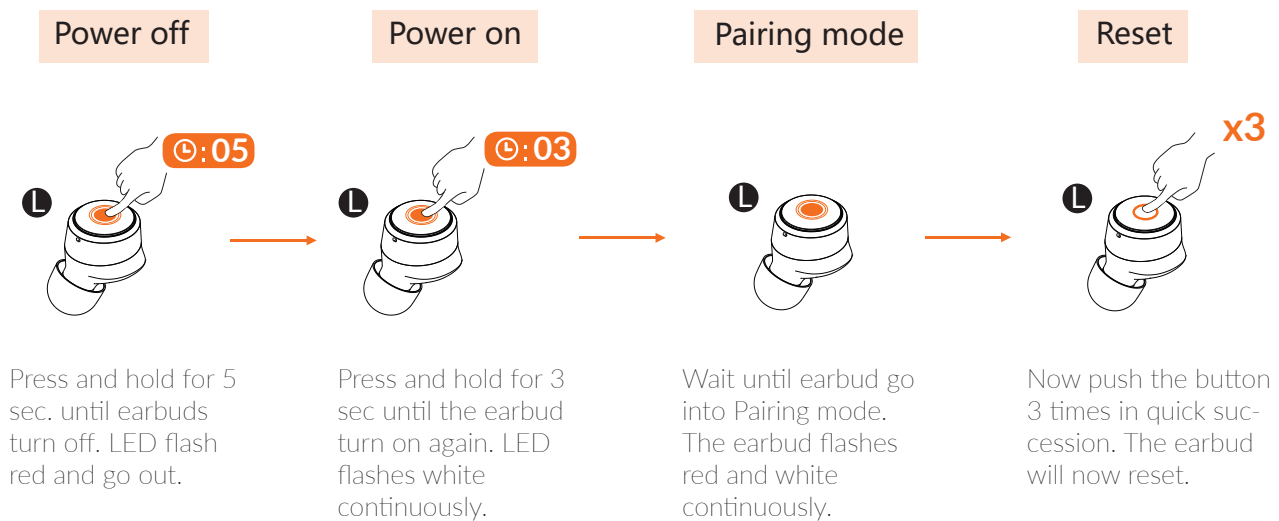
LED battery functions for ROCKit X case

When earbuds are charging in case - LED function	Indication of LED function
1st LED flash	0-33% power on the case
2nd LED flash	34-66% power on the case
3rd LED flash	67-100% power on the case
LED off	Fully charged earbuds

When case is charging by plug or wireless - LED function	Indication of LED function
1 LED flash	0-33% power on the case
2 LEDs flash	34-66% power on the case
3 LEDs flash	67-100% power on the case
All LEDs on	Fully charged earbuds

RESET ROCKIT X

1. Before you reset make your device forget ROCKit X in Bluetooth settings on your device
2. Turn Bluetooth OFF before resetting ROCKit X
3. Place both earbuds in the charging case
4. Take both earbuds out of the charging case
5. Follow bellow steps one earbud at a time



6. When both earbuds are reset, put them back into the charging case and wait 10 sec. before taking both earbuds up at the same time. The earbuds will automatically pair with each other.
7. Now follow "Use ROCKit X earphones" on page 6.

TROUBLESHOOTING

If you have trouble using your ROCKit X we ask you to try the following solutions. If these solutions does not fix your problem please contact our customer service at info@sackit.dk.

My ROCKit X earbuds are not connected to each other

- Try resetting your ROCKit X earbuds following the description on page 7. You can now reconnect ROCKit X to your device by following the description found on 6

I experience issues with stability and connection

- Try to delete the pairing between ROCKit X and your device on the device. You do this by accessing the Bluetooth settings on your device and choose "forget ROCKit X". Now pair ROCKit X and your device by following the description found on 6

ROCKit X is not playing music while connected to my device

- If ROCKit X is not playing music even though your device shows it should be you have to manually choose to play from ROCKit X in your device settings. Please refer to the instruction of your device or specific app for further information.

My ROCKit X does not turn off when placed in the charging case

- If ROCKit X earbuds do not turn off when placed in the charging case the case needs to be charged. Please turn off the earbuds manually by pressing the touch button on one of the earbuds for 10 seconds and charge your ROCKit X case

My earbuds do not play with the same sound volume

- As ROCKit X is an in-ear headset they can be clogged with earwax and dirt. Try removing the silicone tips from the earbuds and clean the small filter. Please follow the cleaning guide found on page 10
- If it is not possible to clean the filter or this does not solve the problem, please contact our customer service on info@sackit.dk

My ROCKit X earbuds do not turn on when they are removed from the charging case

- Try placing the earbuds into the charging case and charge ROCKit X for minimum 2 hours before using the earbuds

CLEANING OF THE PRODUCT

1. Kindly switch off ROCKit X before you clean it and remove the earbuds from the charging case. The earbuds can manually be turned off by pressing the touch button on one of the earbuds for 10 seconds.
2. Do not use any water, cleaner or chemicals to clean the earbuds
3. To clean the earbuds, remove the small silicone tip and expose the black speaker fabric
4. Use a dry cotton swab to gently clean the speaker fabric
5. Use a soft, dry, and lint-free cloth to wipe the entire earbud and charging case
6. After cleaning please place the earbuds back into the charging

NOTE: Avoid using sharp objects to clean ROCKit X earbuds and charging case

TECHNICAL SPECIFICATIONS

- Model: ROCKit X Earbuds
- IP grade: IPX4
- Bluetooth version: V5.0
- Bluetooth Solution: Realtek
- Operating distance: 10M
- Battery: 590mAh charging case, 2 x 50mAh earbuds
- Charging time: 2 hours
- Charging current: 500mA
- Music playing time: Up to 8 hours for earbuds without charging
20 hours of playing time added by the charging case
- Earbuds call time: Up to 6 hours
- Driver Unit: Ø6mm
- Frequency Range: 20Hz-20KHz
- Impedance: $16\pm 15\Omega$ at 1000Hz
- USB-C input: 5V/500mAh
- Qi input: 3W
- Size: 68.5*64*32mm
- Weight: 60g

IMPORTANT SAFETY INFORMATION

Please read the following information and operate the product and accessories accordingly to ensure correct and safe use of the product. We are not responsible for damage caused by failure to comply with the instructions or irresponsible use of the product.

Warning

To prevent any fires or electrical hazards please act according to the following guidelines:

- Do not disassemble or replace any parts of this device. Please contact professional maintenance or qualified service center if there is any damage to the device.
- Do not place in any liquid
- If any liquids flows inside the product, please shut down the product and contact customer service center
- Do not place this device in or close to sources of excessive heat or fire. (Such as: candles, fireplaces or direct sunlight)
- Please shut down in lightning weather
- Keep this device away from any dust and vibration.
- Do not use excessive force when using any of the control buttons.
- If the product is below 5°C when you receive it, please open the product packaging and wait for it to reach room temperature.
- To prevent overheating of the product is it necessary to keep a cleared area of 10 cm around the product while charging
- Be sure to place this device on stable, flat and level surfaces while charging.

DISPOSAL OF THE PRODUCT

ROCKit X is made from recyclable and high quality materials. Do not dispose of together with living garbage. Please understand the local classification about collecting electronical, electrical products that contains batteries. Correct disposal of the product will help to prevent negative impact to the environment.

COMPLAINTS

Please contact our customer service if you have a complaint or a pair of broken ROCKit X earbuds. If your earbuds has a defect, please inform your serial number, when you contact us. You will find the serial number on the bottom of the charging case.



TAK!

Tak fordi du valgte ROCKit X True Wireless Earbuds fra SACKit. Vi beder dig læse hele denne brugermanual grundigt, før du tager ROCKit X i brug. Gem venligst brugermanualen, så du altid kan slå op i den. Vi tager forbehold for fejl i tekst eller billeder og nødvendige ændringer i de tekniske specifikationer. Hvis du oplever tekniske problemer, beder vi dig kontakte vores kundeservice. Vi håber, du får stor glæde af din nye ROCKit X True Wireless Earbuds.

Let SACKit rock your life!

TILLYKKE med dit nye SACKit produkt!

Registrer dit nye SACKit produkt og få fede fordele.

1. Gå til <https://sackit.eu/reg>
2. Indtast navn, e-mail og produkt*

Indhold i æsken

1. ROCKit earbuds
2. ROCKit trådløs opladningsæske
3. Quick start guide
4. USB-opladnings kabel

*Når du registrerer dit produkt, giver du samtykke til at modtage nyhedsbreve fra SACKit.

QUICK START GUIDE

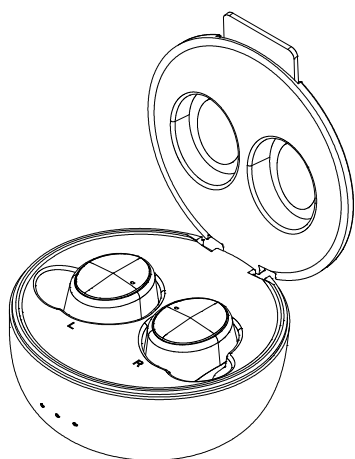
Når du modtager dine ROCKit X skal de oplades før de er klar til brug.

Dine ROCKit X skal placeres i den tilhørende opladeræske, da dette er sådan ROCKit X oplades.

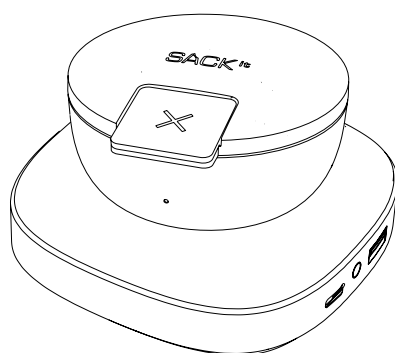
Nu kan ROCKit X oplades på en af følgende måder:

- 1: Placer din ROCKit X æske på en Qi trådløs oplader, så som SACKit's egen CHARGEit.
- 2: Brug det medfølgende USB-C stik og en 5V, 1A power adapter.

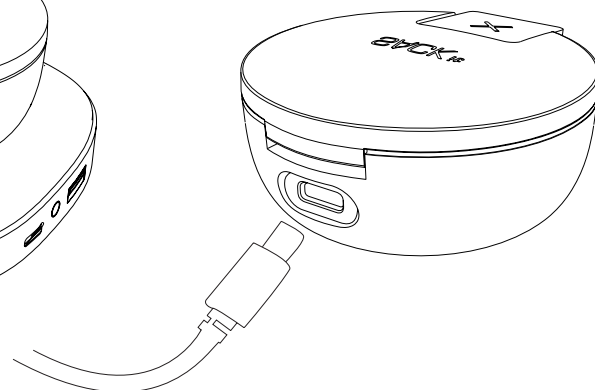
ROCKit X skal oplades i minimum 2 timer før brug.



Placer ROCKit X earbuds i opladningsæsken



Opladningsæsken kan oplade på en trådløs oplader



Opladningsæsken kan også oplade via et USB-C kabel

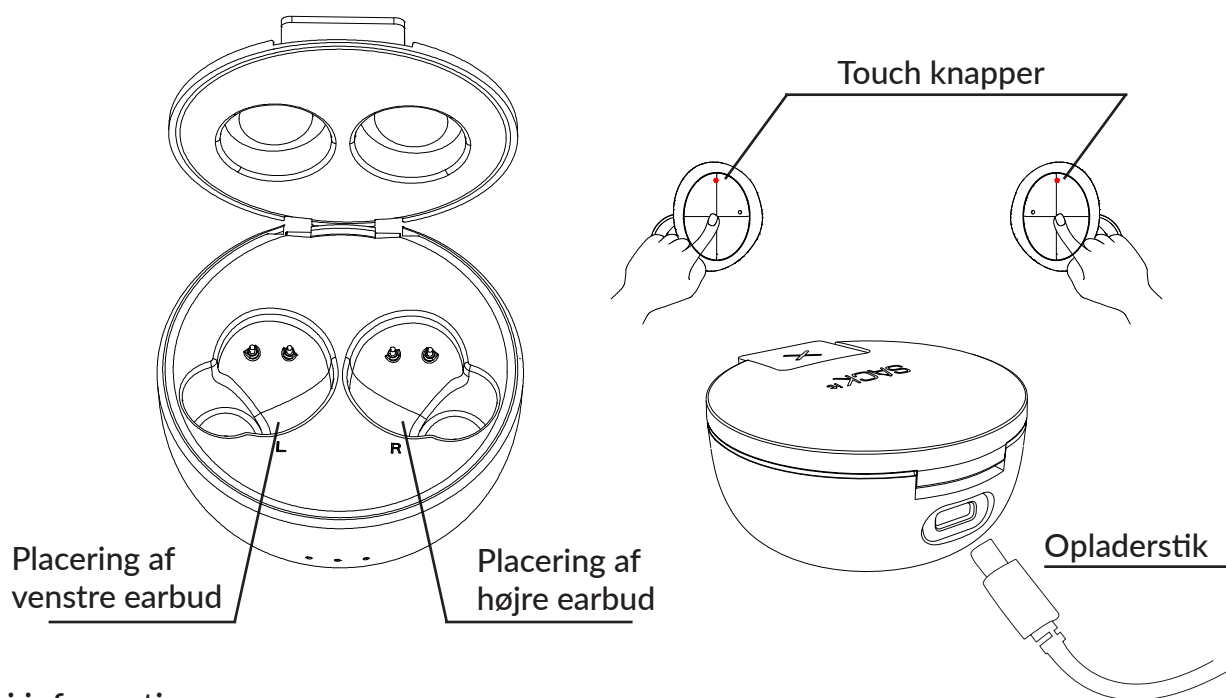
Husk at slukke dine earbuds efter brug for at øge batteriernes levetid. ROCKit X's earbuds slukker automatisk når de ligger i opladningsæsken

Sådan afspiller du musik

1. Til første brug: fjern ROCKit X earbuds fra opladeræsken. Begge earbuds vil blinke hvidt i kantens LED
2. Den venstre earbud vil efterfølgende blinke rød/hvid, som indikerer at ROCKit X er i pairing mode og dine earbuds er koblet sammen via True Wireless Stereo
3. Tænd for Bluetooth på din enhed
4. Vælg "ROCKit X" under Bluetooth indstillinger på din enhed. Dine earbuds er nu tilkoblet din enhed
5. Du kan nu starte musikken på din enhed
6. ROCKit X tænder/slukker automatisk når earbuds indsættes/udtages af opladeræsken.
7. Manuelt tænd/sluk ROCKit X ved at holde touch knapperne på earbuds nede i 10 sekunder

ROCKit X vil automatisk parre med sidst tilkoblede enhed

BESKRIVELSE AF PRODUKTET

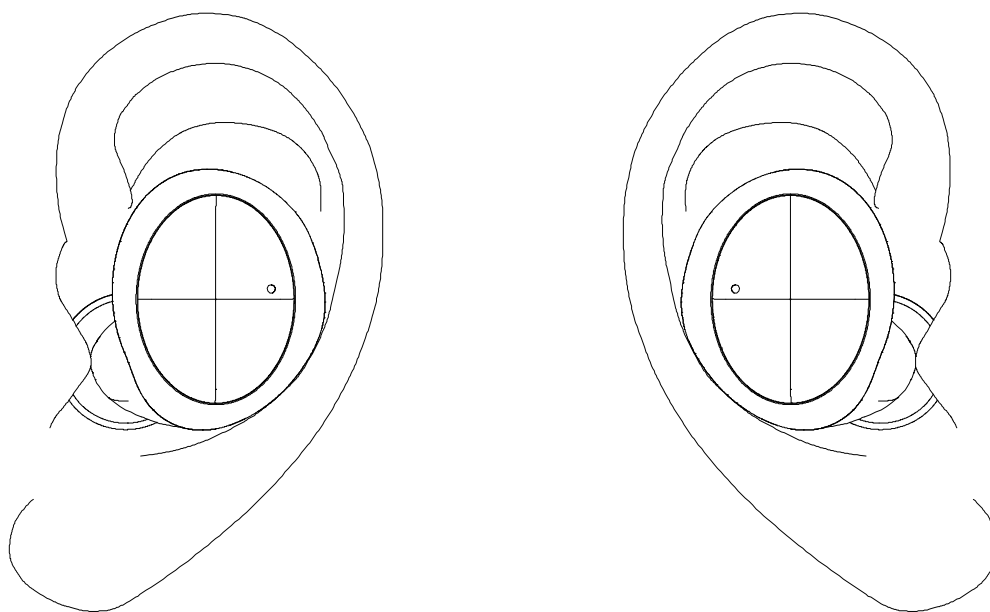


Batteri information

- Batteri: genopladeligt Polymer Lithium-Ion Batteri, DC: 3.7V/590mAh for opladeræske, 2 x 50mAh for earbuds
- Strøm: USB DC5V, Anvend det medfølgende USB-C kabel til opladning af æsken
- Opladningstid: Til første brug venligst sikre at batteriet er fuldt opladet inden anvendelse. Det skal oplade mere end 3 timer første gang, og 2 timer ved genopladning

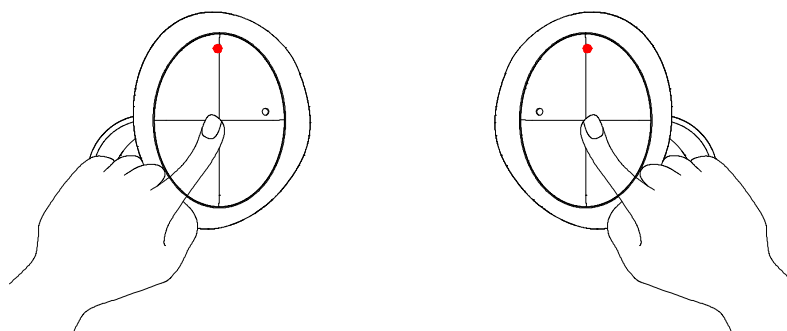
Korrekt placering af ROCKit X earbuds

Placer earbuds i ørerne som vist på billedet nedenfor. Det er vigtigt at du placerer den indvendige ørestøtte nedad i øret. Du kan dreje dine earbuds indtil du finder den rette placering.



Anvend ROCKit X høretelefoner

1. Til første brug: fjern ROCKit X earbuds fra opladeræsken. Begge earbuds vil blinke hvidt i kantens LED
2. Den venstre earbud vil efterfølgende blinke rød/hvid, som indikerer at ROCKit X er i pairing mode og dine earbuds er koblet sammen via True Wireless Stereo
3. Tænd for Bluetooth på din enhed
4. Vælg "ROCKit X" under Bluetooth indstillinger på din enhed. Dine earbuds er nu tilkoblet din enhed
5. Du kan nu starte musikken på din enhed
6. ROCKit X tænder/slukker automatisk når earbuds indsættes/udtages af opladeræsken. Manuelt tænd/sluk ROCKit X ved at holde touch knapperne på earbuds nede i 10 sekunder



7. ROCKit X vil automatisk parre med sidst tilkoblede enhed
8. For at tilkoble en ny enhed skal du først frakoble tidligere parret enhed ellers vises ROCKit X ikke på den nye enhed.
9. ROCKit X kan husk 8 enheder: Du kan parre 8 enheder til din ROCKit X, ved 9 enhed glemmer ROCKit X den først tilføjede

Betjening efter første parring

1. Efter første parring vil ROCKit X earbuds og Bluetooth enheden automatisk genetablere forbindelse
2. Tænd earbuds ved at holde touch knappen nede indtil du hører en ON lyd, eller ved at fjerne earbuds fra opladeræsken
3. ROCKit X slukker automatisk når de placeres i opladeræsken. Hold touch knappen inde for manuelt at slukke dine ROCKit X earbuds

Basis funktioner for ROCKit X earbuds

Venstre earbud - funktion	Venstre earbud - betjening på earbud
Volumen ned - 1 tryk	1 tryk
Forrige sang	Hold i 1 sekund
Play/pause	2 tryk
SIRI®/Google™	3 tryk
Svar/slut opkald	2 tryk
VoiceThrough on/off	Hold i 2 sekunder

Højre earbud - funktion	Højre earbud - Betjening på earbud
Volumen op	1 tryk
Næste sang	Hold i 1 sekund
Play/pause	2 tryk
SIRI®/Google™	3 tryk
Svar/slut opkald	2 tryk
Active Noise Cancelation (ANC)	Hold i 2 sekunder

LED funktioner for ROCKit X earbuds

Når earbuds oplader i æsken - LED funktion	Indikation af LED funktion
Røde blink	Earbuds oplader
LED slukket	Earbuds er fuldt opladet

Når earbuds anvendes - LED funktion	Indikation af LED funktion
Hvide blink	Earbuds parret med enhed
Hvide/røde blink	Pairing tilstand
4 røde blink hvert minut	Earbuds skal oplades

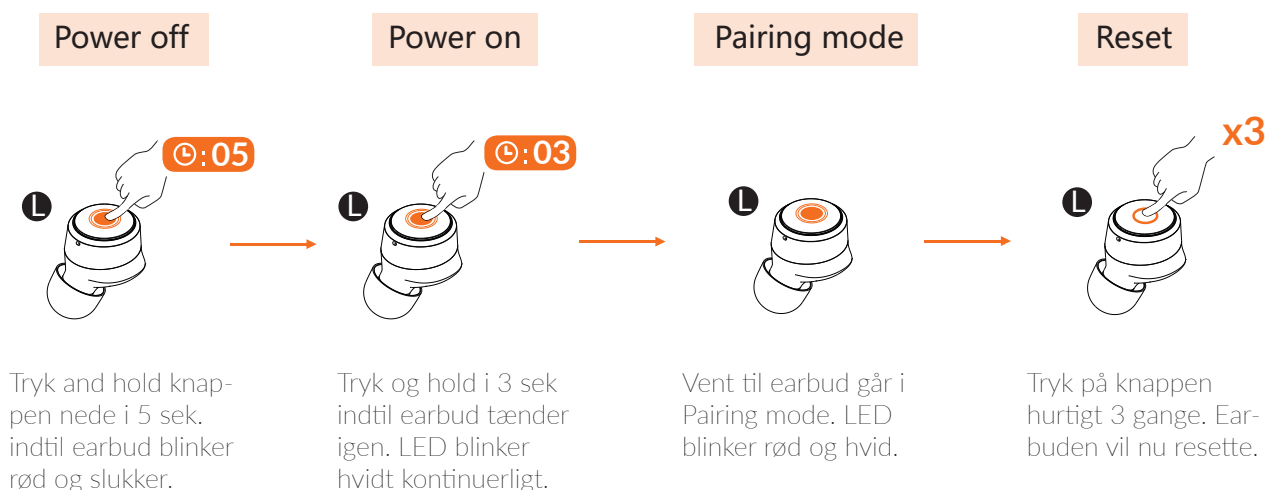
LED batteri funktioner for ROCKit X æske

Når earbuds oplader i æsken - LED funktion	Indikation af LED funktion
1. LED blinker	0-33% strøm på æsken
2. LED blinker	34-66% strøm på æsken
3. LED blinker	67-100% strøm på æsken
LED'er slukket	Fuldt opladede earbuds

Når æsken oplader i stik eller trådløst - LED funktion	Indikation af LED funktion
1 LED blinker	0-33% strøm på æsken
2 LED'er blinker	34-66% strøm på æsken
3 LED'er blinker	67-100% strøm på æsken
Alle LED'er tændt	Fuldt opladet æske

RESET ROCKIT X

1. Inden du resetter er det vigtigt, at du via din enheds Bluetooth indstillinger "glemmer" ROCKit X
2. Slå herefter Bluetooth fra på din enhed
3. Placer begge earbuds i æsken
4. Tag begge earbuds ud af æsken
5. Følg nedenstående steps, først på den ene earbud og derefter på den anden.



6. Placer begge earbuds i oplader æsken og vent 10 sek før du tager dem begge op på samme tid.
7. Følg nu steps i "Anvend ROCKit X høretelefoner" på side 16

TROUBLESHOOTING

Hvis du har problemer med at betjene din ROCKit X, beder vi dig afprøve følgende løsninger. Hvis følgende løsninger ikke afhjælper dit problem, kan du kontakte vores kundeservice på info@sackit.dk.

Mine ROCKit X earbuds er ikke tilsluttet hinanden

- Prøv at nulstille dine ROCKit X earbuds ved hjælp af beskrivelsen på side 17. Herefter skal ROCKit X tilsluttes din enhed igen, dette gøres ved at følge beskrivelsen på side 16

Jeg oplever problemer med stabilitet og forbindelse på ROCKit X

- Prøv at fjerne parringen imellem din enhed og ROCKit X. Dette gøres på din enhed ved at vælge Bluetooth indstillinger og vælge glem/slet "ROCKit X". Herefter skal du igen parre ROCKit X og din enhed ved at følge beskrivelsen på side 16

Mine ROCKit X earbuds afspiller ikke musik selv om at de er tilsluttet min enhed

- Hvis dine ROCKit X ikke spiller når de er tilsluttet din enhed skal du manuelt vælge ROCKit X som afspilningsenhed fra din enhed. For at gøre dette henviser vi til manualen for din enhed eller den specifikke app gør brug af

Mine ROCKit X slukker ikke når de bliver lagt i opladningsæsken

- Hvis dine earbuds ikke slukker i opladningsæsken skyldes det at æsken er løbet tør for strøm og skal oplades. Du kan slukke dine ROCKit X earbuds manuelt ved at trykke på touch knapperne og holde dem inde i 10 sek., herefter skal din opladningsæske oplades

Mine earbuds afspiller ikke med samme volumen

- Da ROCKit X er et in-ear head set kan højttaleren blive stoppet af skidt og ørevoks. For at fjerne dette skal du fjerne ørepropperne og rengøre det lille filter, en rengørings vejledning kan findes på side 20.
- Hvis dette er muligt at rengøre filteret eller hvis dette ikke løser problemet, kan vores kundeservice kontaktes på info@sackit.dk

Mine ROCKit X earbuds tænder ikke når de tages ud af opladningsæsken

- Dine earbuds kan være løbet tør for strøm. Prøv at ligge dine earbuds tilbage i opladningsæsken og tilslut ROCKit X til en oplader for minimum 2 timer før ROCKit X tages i brug igen

RENGØRING AF PRODUKTET

1. Sluk venligst ROCKit X før du rengøre den samt fjern ROCKit X's earbuds fra den tilhørende opladningsæske. Dine earbuds kan slukkes manuelt ved at holde touch knappen inde i 10 sek.
2. Anvend ikke vand, rengøringsmidler, opløsningsmidler eller anden form for væske til rengøring af din ROCKit X earbuds
3. For at rengøre ROCKit X's earbuds skal ørepropperne fjernes, så det sorte højtalerstof bliver tilgængeligt
4. Højtalerstoffet kan forsigtigt rengøres med en tør vatpind
5. Brug en blød, tør og fnugfri klud til at tørre dine earbuds af efterfølgende
6. Efter rengøring ligges ROCKit X's earbuds tilbage i opladningsæsken for at genaktiverer dem

ADVARSEL: Der må ikke benyttes nogen form for skarpe genstande til rengøring af hverken ROCKit X's opladningsæske eller earbuds.

TEKNISKE SPECIFIKATIONER

- Model: ROCKit X Earbuds
- IP grad: IPX4
- Bluetooth version: V5.0
- Bluetooth Solution: Realtek
- Operating distance: 10M
- Batteri: 590mAh opladningsæsken, 2 x 50mAh earbuds
- Opladnings tid: 2 timer
- Musik spilletid: Op til 8 timer uden opladning, 20 timers spilletid tilføjes af opladeræsken
- Earbud opkaldstid: Op til 6 timer
- Driver Unit: Ø6mm
- Frekvens: 20Hz-20KHz
- Impedence: $16\pm 15\Omega$ at 1000Hz
- USB-C input: 5V/500mAh
- Qi input: 3W
- Størrelse: 68.5*64*32mm
- Vægt: 60g

VIGTIG SIKKERHEDSINFORMATION

Læs og følg venligst følgende instruktioner for at sikre, at du anvender dit produkt og tilbehør sikkert og korrekt. Produktskader forårsaget af brug i modstrid med følgende information dækkes ikke af garantien.

Advarsel

For at undgå brand, skader eller elektriske stød, skal du overholde følgende retningslinjer:

- Det er forbudt at afmontere eller erstatte dele på enheden. Kontakt venligst professionelt værksted eller kvalificeret servicecenter, hvis der er skader på opladeren eller dens tilbehør
- Placér ikke produktet i nogen form for væske
- Hvis produktet bliver vådt, skal de slukkes med det samme og kundeservice skal kontaktes
- Placér ikke produktet i eller tæt på kraftig varme eller ild (eksempelvis stearinlys, ildsteder eller direkte sollys)
- Hvis det lyner, skal du slukke for produktet
- Brug ikke produktet i områder med støv eller vibrationer
- Brug ikke overdreven styrke eller vold til betjening af produktet
- Hvis produktet er under 5°C, når du modtager det, skal du tage det ud af emballagen og vente til, det har opnået stuetemperatur, før du slutter det til strøm
- For at undgå overophedning af produktet, skal der være 10 cm frit omkring opladningsæsken ved opladning
- Oplad kun produktet på en stabil, flad og plan overflade.

BORTSKAFFELSE AF PRODUKTET

ROCKit X er fremstillet i genanvendelige højkvalitetsmaterialer. Du må ikke smide produktet ud sammen med din dagrenovation. Produktet skal bortskaffes i overensstemmelse med lokale retningslinjer for bortskaffelse af elektronik. Forkert bortskaffelse har negative konsekvenser for miljø og sundhed.

REKLAMATIONER

Kontakt venligst vores kundeservice, hvis du har en klage eller har et par defekte ROCKit X earbuds. Hvis du har et par defekte øretelefoner, skal du oplyse produktets serienummer, når du kontakter os. Serienummeret finder du på bunden af æsken.



VIELEN DANK!

Vielen Dank für den Kauf der ROCKit X Ohrhörer von SACKit. Bitte lesen Sie die Gebrauchsanleitung genau durch, bevor Sie das Produkt in Gebrauch nehmen. Heben Sie die Gebrauchsanleitung für einen späteren Gebrauch auf. Angaben zur Produktbeschreibung, sowie das Bildmaterial und technische Daten sind ohne Gewähr. Sollten Sie Probleme mit Ihrem Produkt erleben, kontaktieren Sie bitte unseren Kundendienst. Wir hoffen, dass Sie viel Freude mit Ihren neuen ROCKit X True Wireless Ohrhörern haben werden.

Let SACKit rock your life!

Herzlichen Glückwunsch zu Ihrem neuen SACKit Produkt!

Registrieren Sie Ihr neues SACKit Produkt hier und erhalten Sie coole Produktvorteile.

1. Klicken Sie auf <https://sackit.eu/reg>
2. Geben Sie Ihren Namen, E-Mailadresse und das Produkt ein*

Produktinhalt

1. ROCKit X Ohrhörer
2. ROCKit X Ladebox
3. Kurzanleitung
4. USB-Ladekabel

*Bei der Registrierung erklären Sie sich damit einverstanden, unseren Newsletter von SACKit zu erhalten.

KURZANLEITUNG

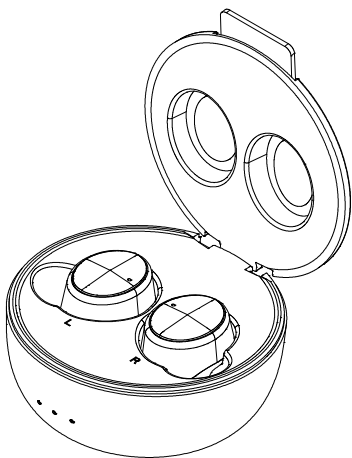
Bevor Sie Ihre ROCKit X Ohrhörer in Gebrauch nehmen, müssen Sie sie zuerst aufladen.

Legen Sie die ROCKit X Ohrhörer in die Ladebox, um sie aufzuladen.

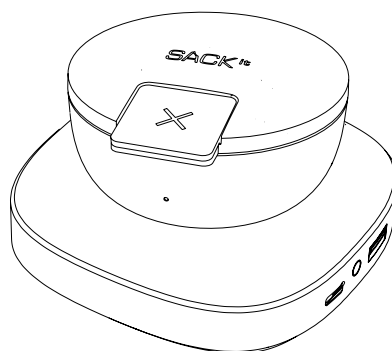
Die ROCKit X Ohrhörer können auf verschiedene Weise aufgeladen werden:

- 1: Legen Sie die ROCKit X Ladebox auf einem Qi Ladegerät, z.B. auf einem CHARGEit.
- 2: Benutzen Sie das mitgelieferte USB-C Kabel und eine 5V, 1A Stromversorgung.

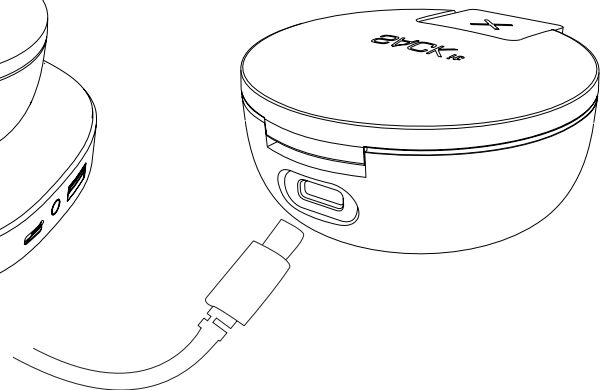
Vor der ersten Anwendung sollte ROCKit X für mindestens 2 Stunden aufgeladen werden.



Legen Sie die ROCKit X Ohrhörer in die Ladebox



Die Ladebox kann auf einem kabellosen Ladegerät aufgeladen werden



Die Ladebox kann ebenfalls mit Hilfe eines USB-C Kabels aufgeladen werden.

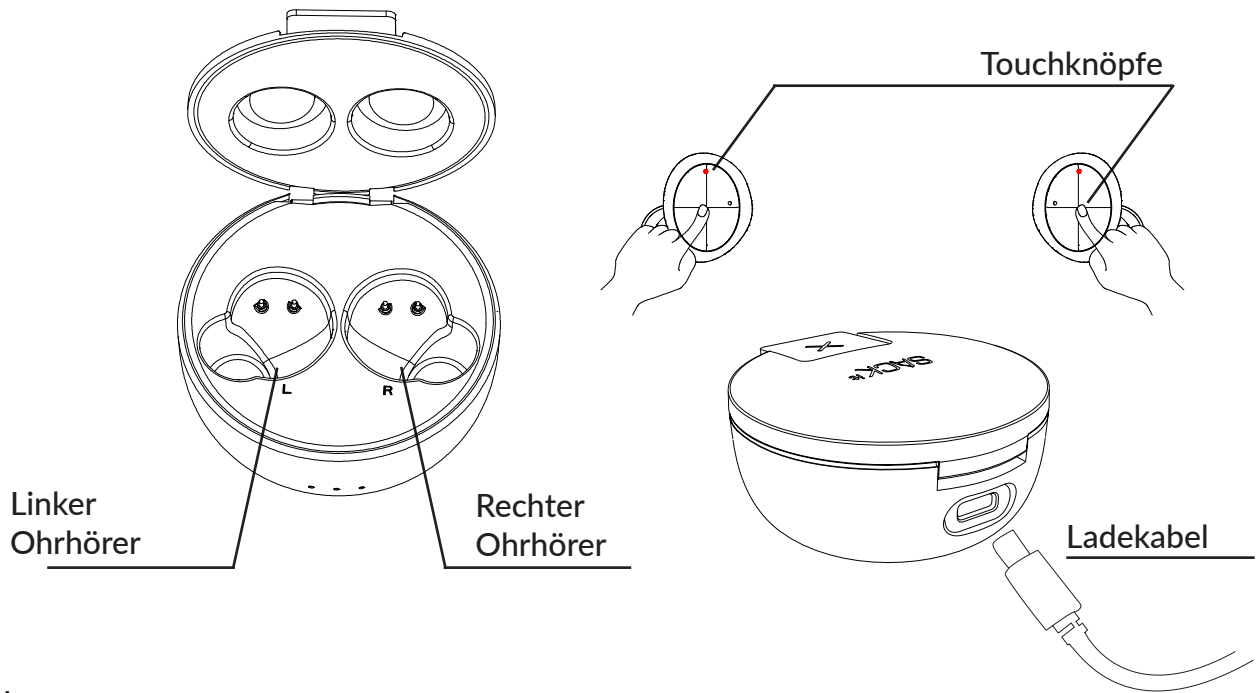
Vergessen Sie nicht Ihre Ohrhörer nach dem Gebrauch auszuschalten, um die Akkulaufzeit zu verlängern. Die Ohrhörer schalten sich automatisch aus, sobald sie in die Ladebox gelegt werden.

Anwendung der ROCKit X Ohrhörer

1. Zuerst: Nehmen Sie die ROCKit X Ohrhörer aus der Ladebox. Beide Ohrhörer leuchten entlang der Kante Weiß auf.
2. Der linke Ohrhörer leuchtet innerhalb weniger Sekunden rot/weiß auf. ROCKit X ist im Paarungsmodus und Ihre Ohrhörer sind jetzt miteinander verbunden (True Wireless Stereo).
3. Aktivieren Sie die Bluetooth Funktion auf dem gewünschten Gerät.
4. Auf Ihrem Gerät müssen Sie „ROCKit X“ in der Bluetooth Einstellung auswählen. Ihre Ohrhörer sind jetzt mit dem gewünschten Gerät gepaart.
5. Spielen Sie die Musik auf Ihrem Gerät ab.
6. Die ROCKit X Ohrhörer schalten sich automatisch ein und aus sobald sie in die Ladebox gelegt werden.
7. Manuelles Ein/Ausschalten sie können auch den Ohrhörer Button für 10 Sekunden gedrückt halten, um sie ein oder auszuschalten

ROCKit X stellt darauffolgend immer automatisch die Verbindung zu dem letzten gepaarten Gerät her

PRODUKTBESCHREIBUNG

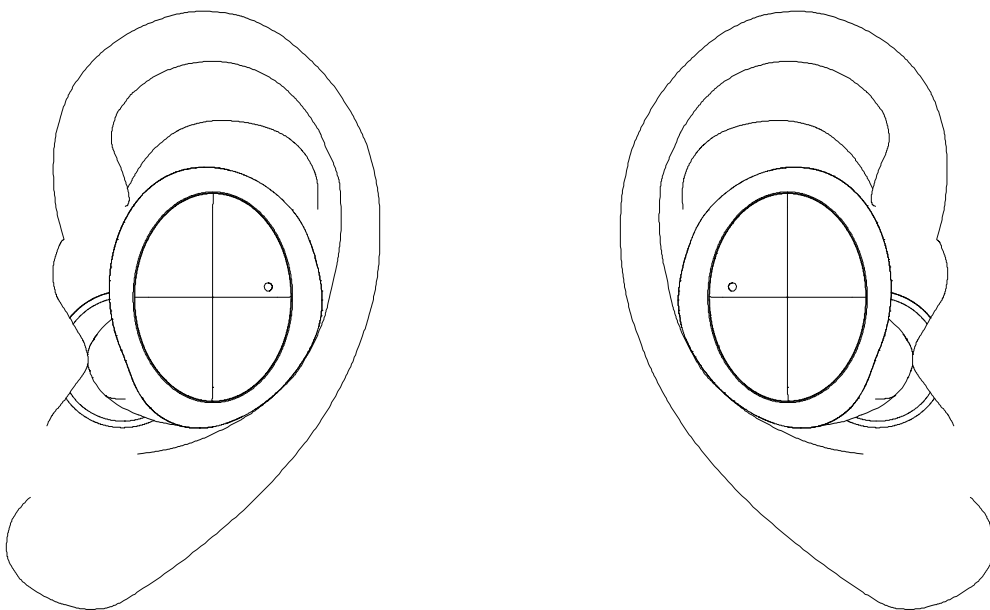


Akku

- Akku: wiederaufladbarer Polymer Lithium-Ion Akku, DC: 3.7V/590mAh für die Ladebox, 2 x 50mAh für die Ohrhörer
- Stromversorgung: USB DC5V, benutzen Sie das mitgelieferte USB-C Kabel, um die Ladebox aufzuladen.
- Ladezeit: Vor der ersten Anwendung sollten Sie bitte den Akku vollaufladen. Dafür sollte er für mindestens 3 Stunden lang laden, danach immer 2 Stunden bei einer erneuten Aufladung.

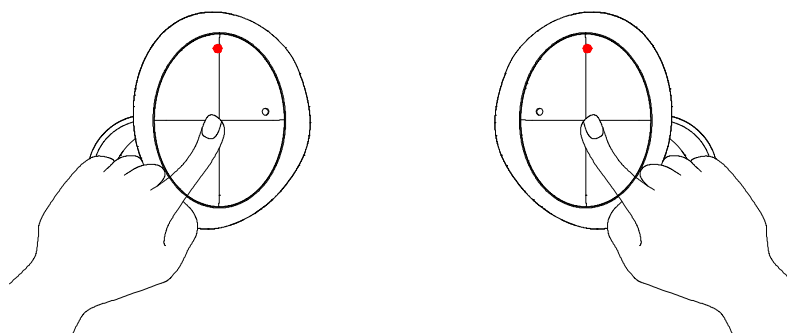
Korrekte Nutzung der ROCKit X Ohrhörer

Bringen Sie die Ohrhörer wie unten abgebildet an. Hierbei ist es wichtig die inneren Stöpsel nach unten zu drehen. Sie können die Ohrhörer so lange drehen, bis Sie die richtige Passform gefunden haben.



Anwendung der ROCKit X Ohrhörer

1. Zuerst: Nehmen Sie die ROCKit X Ohrhörer aus der Ladebox. Beide Ohrhörer leuchten entlang der Kante Weiß auf.
2. Der linke Ohrhörer leuchtet innerhalb weniger Sekunden rot/weiß auf. ROCKit X ist im Paarungsmodus und Ihre Ohrhörer sind jetzt miteinander verbunden (True Wireless Stereo).
3. Aktivieren Sie die Bluetooth Funktion auf Ihrem Gerät
4. Wählen Sie „ROCKit X“ in der Bluetooth Einstellung auf Ihrem Gerät aus. Ihre Ohrhörer sind jetzt mit dem gewünschten Gerät gepaart.
5. Spielen Sie die Musik auf Ihrem Gerät ab.
6. Die ROCKit X Ohrhörer schalten sich automatisch ein und aus sobald sie in die Ladebox gelegt werden.
7. Das Ein- und Ausschalten erfolgt durch das Drücken des Ohrhörer Buttons für 10 Sekunden.



8. ROCKit X stellt darauffolgend immer automatisch die Verbindung zu dem letzten gepaarten Gerät her.
9. Um ein neues Gerät mit dem Ohrhörer zu paaren, muss die vorherige Paarung erst unterbrochen werden. Ansonsten können Sie nicht mit einem neuen Gerät verbinden.
10. ROCKit X kann bis zu 8 Geräte speichern: Sie können also 8 Geräte mit Ihrem ROCKit X paaren. Wenn Sie versuchen ein 9. Gerät zu paaren, wird das Erst gespeichertes Gerät automatisch gelöscht.

Anleitung nach der ersten Verbindung

1. Nach dem ersten Verbindungsaufbau zwischen Ihren ROCKit X Ohrhörern und Ihrer Bluetooth Einheit wird die Verbindung automatisch wiederhergestellt
2. Um die Ohrhörer einzuschalten, halten Sie den Knopf entweder solange gedrückt bis Sie den Einschaltton hören. Sie können auch die Ohrhörer aus der Ladebox nehmen.
3. Die ROCKit X Ohrhörer schalten Sie sich automatisch aus sobald sie in die Ladebox gelegt werden. Halten Sie den Knopf am Ohr gedrückt, um die Ohrhörer manuell auszuschalten.

Basisfunktionen für die ROCKit X Ohrhörer

Linker Ohrhörer - Funktion	Linker Ohrhörer - Bedienung am Ohr
Lautstärke runter	1x drücken
Vorheriges Lied	Für 1 Sekunden gedrückt halten
Play/pause	2 x drücken
SIRI®/Google™	3 x drücken
Anrufe entgegen nehmen/Anrufe beenden	2 x drücken
VoiceThrough on/off	Für 2 Sekunden gedrückt halten

Rechter Ohrhörer - Funktion	Rechter Ohrhörer - Bedienung am Ohr
Lautstärke hoch	1x drücken
Vorheriges Lied	Für 1 Sekunden gedrückt halten
Play/pause	2 x drücken
SIRI®/Google™	3 x drücken
Anrufe entgegen nehmen/Anrufe beenden	2 x drücken
Active Noise Cancelation (ANC)	Für 2 Sekunden gedrückt halten

LED Leuchten - ROCKit X Ohrhörer

Wenn die Ohrhörer in der Ladebox laden	LED Funktionen
Rotes leuchten	Ohrhörer lädt
LED aus	Ohrhörer sind aufgeladen

Wenn die Ohrhörer gebraucht werden - LED Funktion	LED Funktionen
Weißes leuchten	Ohrhörer mit einem Gerät gepaart
Weiß/rotes Leuchten	Pairing Modus
4 x rotes leuchten jede Minute	Ohrhörer müssen aufgeladen werden werden

LED Leuchten - ROCKit X Ohrhörer

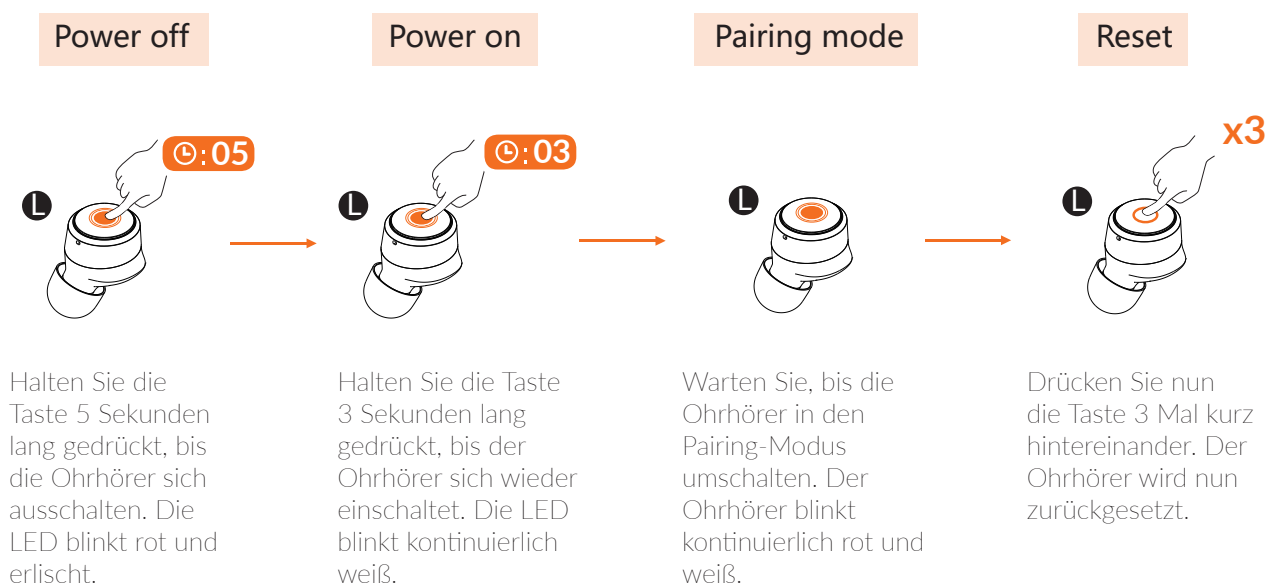
Wenn die Ohrhörer in der Ladebox laden	LED Funktionen
1. LED blink	0-33% Akkulaufzeit
2. LED blink	34-66% Akkulaufzeit
3. LED blink	67-100% Akkulaufzeit
LED aus	Voll aufgeladene

Wenn die Ohrhörer gebraucht werden - LED Funktion	LED Funktionen
1 LED blink	0-33% Akkulaufzeit
2 LED blink	34-66% Akkulaufzeit
3 LED blink	67-100% Akkulaufzeit
LED an	Voll aufgeladen

DAS ZURÜCKSETZEN DER ROCKIT X OHRHÖRER

Wir haben einen Clip für Sie zusammengestellt, wo Sie genau sehen können, was Sie machen müssen, um Ihre Ohrhörer zurückzusetzen. Jetzt auf unserem SACKit's YouTube Kanal ansehen: <https://bit.ly/34TWCjk>

1. Bevor Sie die Ohrhörer zurücksetzen ist es wichtig, dass Sie „ROCKit X“ aus Ihrer Bluetooth Liste auf Ihrem Handy löschen.
2. Schalten Sie anschließend die Bluetooth Funktion auf Ihrem Handy aus
3. Legen Sie beide Ohrhörer in die Ladebox
4. Nehmen Sie wieder beide Ohrhörer aus der Ladebox
5. Gehen Sie wie folgt unten vor, zuerst mit dem einen Ohrhörer, dann mit dem anderen.



6. Legen Sie beide Ohrhörer in die Ladebox und warten Sie 10 Sekunden ab, bevor Sie beide gleichzeitig wieder rausnehmen.
7. Folgen Sie der Anleitung „Anwendung der ROCKit X Ohrhörer“ auf Seite 26

FEHLERSUCHE

Wenn Sie Probleme mit der Bedienung Ihrer ROCKit X Ohrhörer haben, bitten wir Sie folgenden Lösungen auszuprobieren, sollte dieses nicht helfen, kontaktieren Sie bitte unseren Kundendienst info@sackit.dk.

Meine ROCKit X Ohrhörer sind nicht miteinander verbunden

- Versuchen Sie die Ohrhörer zurückzustellen (lesen Sie mehr auf Seite 27). Danach müssen Sie eine erneute Paarung vornehmen (lesen Sie mehr auf Seite 26).

Meine ROCKit X Ohrhörer sind instabil in der Verbindung

- Versuchen Sie die Paarung zu löschen. Löschen Sie „ROCKit X“ aus Ihrer Bluetooth Übersicht auf Ihrem Gerät. Verbinden Sie aufs Neue, gehen Sie wie folgt auf Seite 26 vor.

Aus meinen ROCKit X Ohrhörern ertönt keine Musik, obwohl Sie mit meinem Gerät verbunden sind

- Wenn Ihre Ohrhörer keine Musik abspielen, obwohl sie mit Ihrem Gerät verbunden sind, dann müssen ROCKit X selbst aus Ihrer Liste auswählen. Dafür müssen Sie Gebrauchsanleitung Ihres Gerätes durchlesen

Meine Ohrhörer schalten sich nicht aus, wenn Sie in die Ladebox gelegt werden

- Wenn sich die Ohrhörer in der Ladebox nicht ausschalten lassen liegt es daran, dass der Akku der Ladebox leer ist. Sie können Ihre ROCKit X Ohrhörer manuell ausschalten, indem Sie den Knopf am Ohr für 10 Sekunden gedrückt halten. Danach müssen Sie die erneut die Ladebox aufladen

Meine Ohrhörer haben nicht die gleiche Lautstärke

- Da ROCKit X In-Ear Ohrhörer sind, können Sie mit Schmutz und Ohrenschmalz zugestopft werden. Um diesen zu entfernen, müssen Sie die Stöpsel abnehmen und das kleine Filter reinigen. Wie man die Ohrhörer genau reinigt, erfahren Sie auf Seite 30.
- Sollten Sie Probleme mit der Reinigung erleben, kontaktieren Sie unseren Kundendienst auf info@sackit.dk

Meine Ohrhörer schalten sich nicht ein, wenn sie aus der Ladebox genommen werden

- Der Akku Ihrer Ohrhörer könnte leer sein. Legen Sie die Ohrhörer zurück in die Ladebox. Laden Sie die Ladebox für mindestens 2 Stunden auf und versuchen es noch einmal.

REINIGUNG

1. Schalten Sie die ROCKit X Ohrhörer vor dem Säubern aus und nehmen Sie sie aus der Ladebox. Ihre Ohrhörer lassen sich manuell ausschalten, indem Sie den Knopf am Ohr für 10 Sekunden gedrückt halten
2. Benutzen Sie kein Wasser, Reinigungsmittel, Lösungsmittel oder andere Flüssigkeiten für die Reinigung Ihrer ROCKit X Ohrhörer.
3. Für die Reinigung müssen Sie die Stöpsel abnehmen, damit der schwarze Stoff zum Vorschein kommt.
4. Säubern Sie das Ohrpolster mit einem trockenen Wattestäbchen.
5. Benutzen Sie ein weiches, trockenes und fusselfreies Tuch, um die Ohrhörer abzuwischen. Nach dem Reinigen legen Sie die Ohrhörer wieder zurück in die Ladebox.

ACHTUNG: Vermeiden Sie den Gebrauch von spitzen Gegenständen bei der Reinigung, weder bei den Ohrhörern noch bei der Ladeboxopladungs- oder earbuds.

PRODUKTANGABEN

- Modell: ROCKit X Ohrhörer
- IP Grad: IPX4
- Bluetooth version: V5.0
- Bluetooth Solution: Realtek
- Max. Reichweite: 10M
- Akku: 590mAh Ladebox, 2 x 50mAh Ohrhörer
- Ladezeit: 2 Stunden
- Ladespannung: 500mA
- Spielzeit: Bis zu 8 Stunden bei einer vollen Akkuladung
- 20 Stunden zusätzlich durch die Ladebox
- Sprechzeit: Bis zu 6 Stunden
- Treiber Einheit: Ø6mm
- Frequenz: 20Hz-20KHz
- Impedanz: $16\pm 15\Omega$ at 1000Hz
- USB-C ein: 5V/500mAh
- Qi ein: 3W
- Größe: 68.5*64*32mm
- Gewicht: 60g

WICHTIGE SICHERHEITSHINWEISE

Lesen Sie bitte folgende Anweisungen um sicher zu stellen, dass Sie Ihren ROCKit X sicher und korrekt handhaben. Bei Produktschäden als Folge einer Falschanwendung kann die Garantie nicht geltend gemacht werden.

Achtung!

Um einen möglichen Brand, Schäden oder Stromschläge zu vermeiden, beachten Sie bitte folgendes:

- Es ist nicht erlaubt einzelne Teile zu entfernen oder zu ersetzen. Falls Schäden am Gerät vorhanden sind, kontaktieren Sie bitte eine professionelle Werkstatt oder ein Servicecenter
- Stellen Sie den Lautsprecher nicht zu nahe an kräftiger Hitze oder in das direkte Sonnenlicht
- Bei Donnerwetter sollten Sie das Gerät ausschalten
- Seien Sie bei der Bedienung des Lautsprechers vorsichtig
- Wenn der Lautsprecher bei der Lieferung unter 5 Grad sein sollte, warten Sie bitte mit dem Einschalten. Der Lautsprecher sollte mindestens Raumtemperatur haben, bevor Sie diesen anschließen
- Überhitzung der Lautsprecher sollte vermieden werden
- Bevor Sie das Ladegerät und den Lautsprecher mit der Steckdose verbinden, sollten Sie sicherstellen, dass die Spannung korrekt ist. Falls nicht, benutzen Sie diesen bitte nicht.

ENTSORGUNG

ROCKit X ist aus wiederverwendbaren Materialien hergestellt. Der Lautsprecher darf nicht im Haushaltsmüll entsorgt werden und muss nach den geltenden Richtlinien für Elektronikmüll entsorgt werden. Eine falsch Entsorgung schadet die Umwelt.

REKLAMATION

Falls Sie Reklamationen oder ein defektes Produkt erhalten haben, wenden Sie sich bitte an unseren Kundendienst. Sollten Ihre Ohrhörer kaputt sein, benötigen wir die Seriennummer Ihres Produktes. Sie finden die Seriennummer auf der Rückseite der Verpackung

SACK^{it}®